



GREAT DANE

Chariot

Parts Manual

Models

992609 – Chariot GCHKW1948S

992610 – Chariot GCHKW2352S

992611 – Chariot GCHKW2561S



THE MANUAL

Before you operate your unit, carefully and completely read manuals supplied with the unit. The contents will provide you with an understanding of safety instructions and controls during normal operation and maintenance.

For your safety and the safety of others always read, understand, and follow all DANGER, WARNING, and CAUTION messages found in manuals and on safety decals.

Hardware descriptions are given in decimals.

Decimals to Fractions			
.063	1/16	.563	9/16
.125	1/8	.625	5/8
.188	3/16	.688	11/16
.250	1/4	.750	3/4
.313	5/16	.813	13/16
.375	3/8	.875	7/8
.438	7/16	.938	15/16
.500	1/2	1.00	1

SERVICE AND REPLACEMENT PARTS

When ordering replacement parts or making service inquiries, know the Model and Serial numbers of your unit and engine.

Numbers are located on the product registration card in the unit literature package. They are printed on a serial number label, located on the frame of your unit.

- Record Unit Model and Serial numbers here:

UNAUTHORIZED REPLACEMENT PARTS

Use only Great Dane replacement parts. The replacement of any part on this vehicle with anything other than an Great Dane authorized replacement part may adversely affect the performance, durability, or safety of this unit and may void the warranty. Great Dane disclaims liability for any claims or damages, whether warranty, property damage, personal injury or death arising out of the use of unauthorized replacement parts.

PRODUCT REGISTRATION

The Great Dane dealer must register the product at the time of purchase. Registering the product will help the company process warranty claims or contact you with the latest service information. All claims meeting requirements during the limited warranty period will be honored, whether or not the product registration card is returned. Keep a proof of purchase if you do not register your unit.

Customer Note: If Dealer does not register your product, please fill out, sign and return the product registration card to Great Dane or go to www.greatdanemowers.com.

YOUR SATISFACTION IS IMPORTANT

Questions? Please follow these helpful steps:

1. Refer to the manuals supplied with your unit.
They will guide you through safe and proper operation and maintenance.
They contain specifications on your unit.
If your questions are not answered in these manuals, go to step number two.
2. Contact Your Dealer.
Our dealers will be happy to supply any service or advice required to keep your unit operating at peak efficiency.
A factory trained staff is available to support your equipment needs. They stock genuine Great Dane parts and lubricants manufactured with the same precision and skill as the original.
If your questions are not resolved by the support staff, ask for the manager or owner.
When contacting your Dealer supply your model and serial numbers.

TO SPEED PARTS ORDERING:

1. Know the model and serial numbers of your unit.
2. Know the part number required.
3. Know the quantity required.
4. Know the part description.

MODELS

Model 992609 Chariot GCHKW1948S

Serial No. 101 and up

Model 992610 Chariot GCHKW2352S

Serial No. 101 and up

Model 992611 Chariot GCHKW2561S

Serial No. 101 and up

TABLE OF CONTENTS

DECALS

Decals – Safety And Operation	4
Decals – Style	5

FRAME, ELECTRICAL AND DRIVETRAIN

Frame, Footplate And Deck Lift	6
Wheels, Tanks And Parking Brake	8
Hydraulic Pumps, Belts And Idlers	10
Steering Levers And Control Panel	12
Seat, Electrical And Powertrain	14
Relays And Seat Harness	20

MOWER DECKS

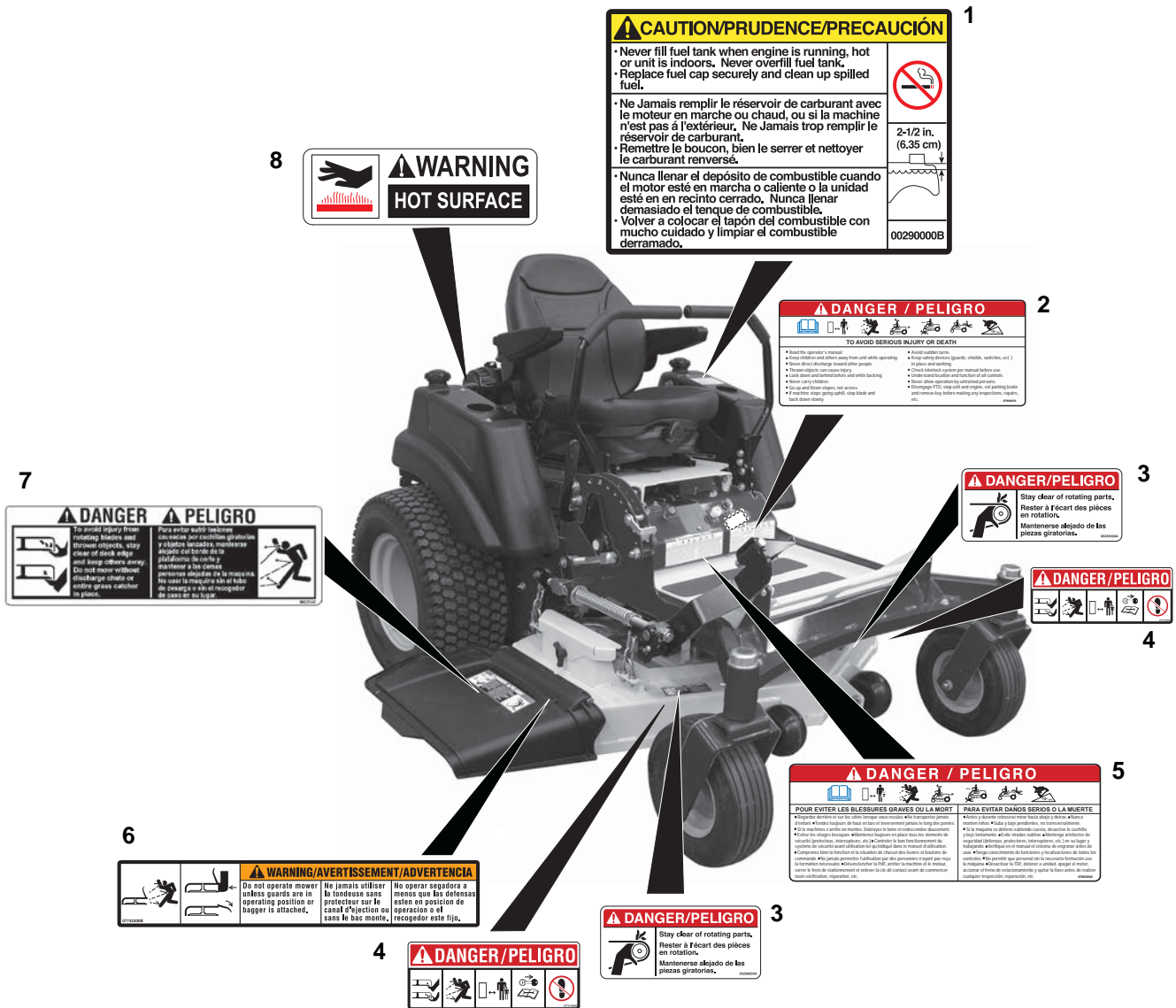
48-Inch Mower Deck	22
52-Inch Mower Deck	24
61-Inch Mower Deck	26

HYDRAULIC AND WIRING DIAGRAMS

Hydraulic Hose Routing	28
Hydraulic System Schematic	29
Wiring Diagram	30

DECALS – SAFETY AND OPERATION

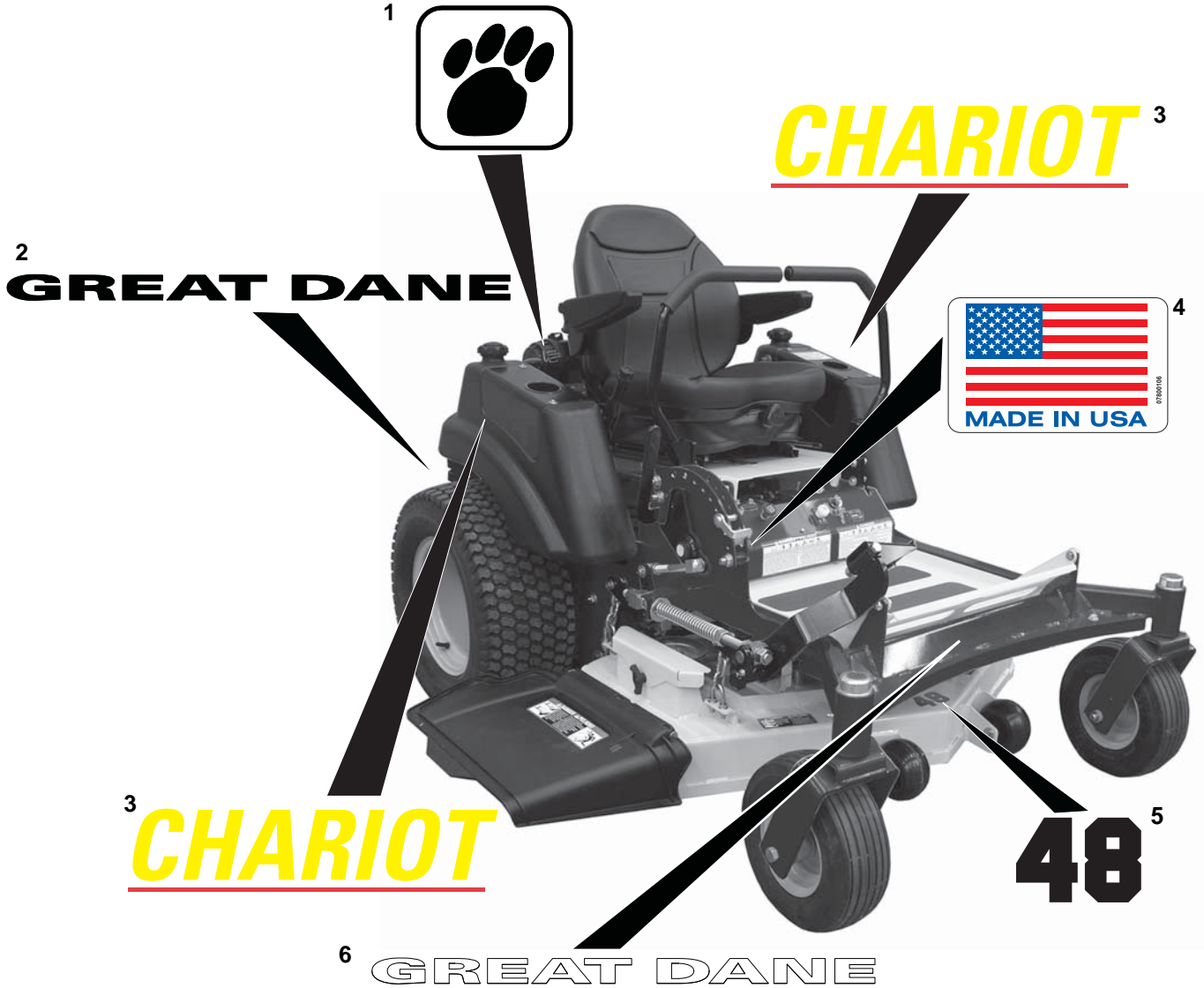
Model 992609, 610, 611



Item	Part No.	Qty.	Description
1	00290000	1	Decal, Fuel Warning
2	07800039	1	Decal, Safety, English
3	05236900	2	Decal, Danger, Rotating Belt
4	07731400	2	Decal, Warning
5	07800040	2	Decal, Safety, French/Spanish
6	07742300	1	Decal, Warning
7	M131748	1	Decal, Danger (992611)
8	M117554	1	Decal, Warning, Hot Surfaces

DECALS – STYLE

Model 992609, 610, 611

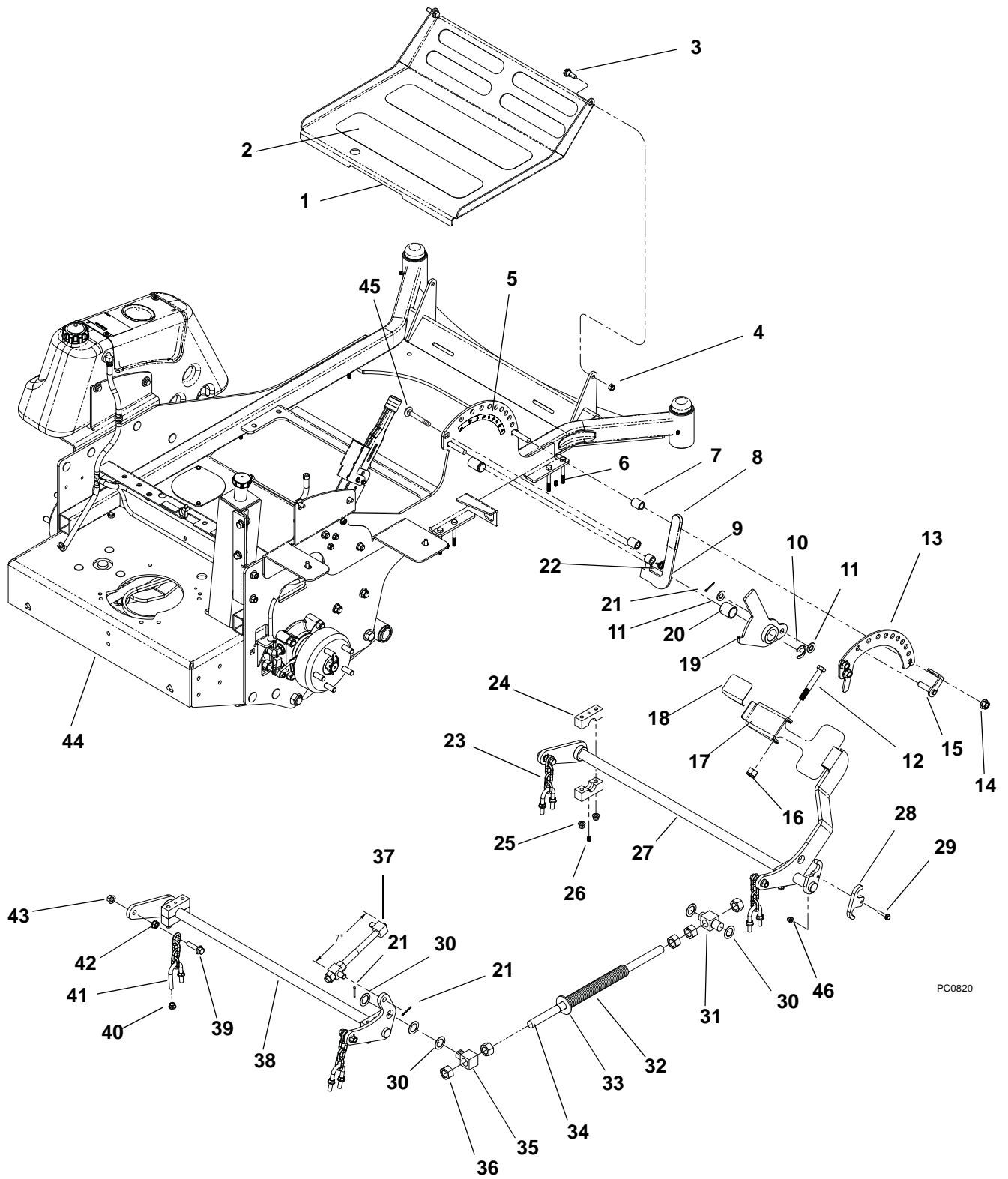


PD7005

Item	Part No.	Qty.	Description
1	GDU10256	1	Decal, Paw Print
2	GDU10257	1	Decal, Great Dane (Blk)
3	03901600	2	Decal, Chariot
4	07800106	1	Decal, Made In USA
5	GDU10267	1	Decal, 48 (992609)
	GDU10268	1	Decal, 52 (992610)
	GDU10269	1	Decal, 61 (992611)
6	GDU10258	1	Decal, Great Dane (Wht)

FRAME, FOOTPLATE AND DECK LIFT

Model 992609, 610, 611



PC0820

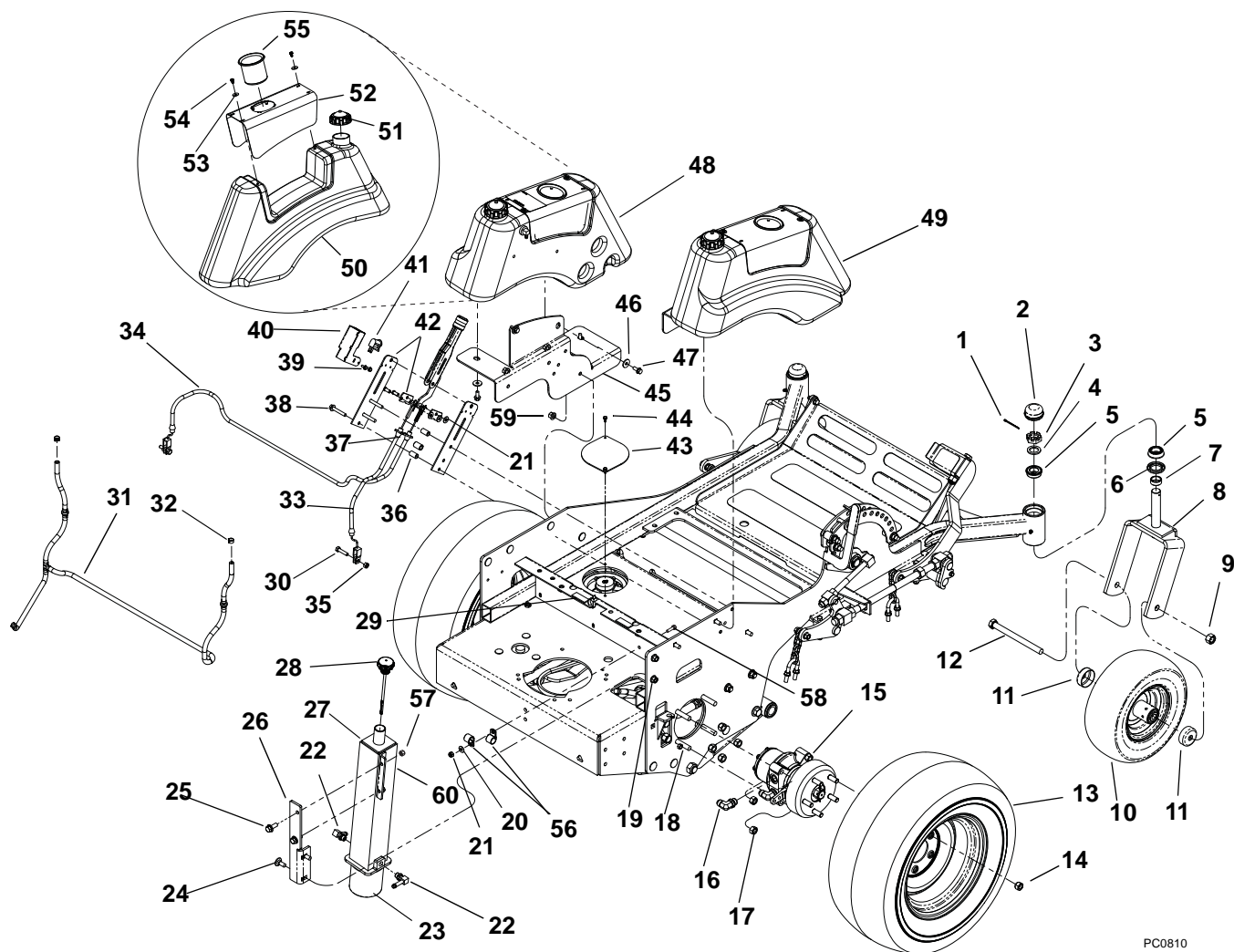
FRAME, FOOTPLATE AND DECK LIFT

Model 992609, 610, 611

Item	Part No.	Qty.	Description
1	03866763	1	WLDT, PLATFORM FOOT
2	00180658	2	TAPE, NON-SLIP - 4.00 X 18.00
3	00135139	2	BOLT, 1/2 X 1.06 X 3/8-16 SLD 5 Y
4	00964022	2	LOCKNUT, 3/8-16 CROWN Y
5	00200266	1	DECAL, HOC 1 - 4 1/2
6	19M7803	8	SCREW, HEX, FL, JDS121, M8 X 1.25 X 70
7	00200841	2	SPACER, HOC
8	D18079	1	GRIP, PVC .250 X 1.00 X 3.63
9	03866551	1	WLDT, HOC RELEASE
10	R58806	1	RING,RETAINING
11	24H1111	3	WASHER, WROUGHT .531 X 1.062 X .09
12	00960122	1	BOLT, 1/2-13 X 3.50 HEX 5 Y
13	03867251	1	PLATE, OUTER H.O.C.
14	H137329	13	LOCKNUT, M12 X 1.75 DFLCTFLG 10Y
15	00200355	1	WLDT, HOC PIN
16	00964015	1	LOCKNUT, 1/2-13 NYLOC Y
17	03866351	1	PAD, FOOT LIFT
18	03877351	1	WLDT, HOC LIFT
19	00385300	1	GRIP, ANTI-SLIP PEDAL REV
20	W10728	1	BEARING
21	11M7015	3	PIN, COTTER, DIN94, 3.2 X 25-ST-ZN
22	TCU17371	1	SPRING, TORSION
23	00150110	4	CHAIN, 4 LINKS 1/4" Y
24	TCU18697	8	BEARING, DECK LIFT
25	14M7396	8	LOCKNUT, FL, ISO7043, M8 X 1.25
26	00959995	9	FTG, 1/4-28 STRGT GREASE ZERK
27	03866151	1	WLDT, LIFT ARM
28	GDU10242	1	PLATE, LIFT LOCK
29	19M7796	1	SCREW, HEX, FL, JDS123, M6 X 1 X 30-10
30	24H1413	5	WASHER, JDS24-.891 X 1.375 X .048-S
31	GDU10238	1	SWIVEL
32	D28200	1	SPRING, DECK LIFT
33	24H1236	1	WASHER, METALLIC, ROUND HOLE
34	TCU16862	1	ROD
35	TCU17245	1	SWIVEL, DECK LIFT ASSIST ROD
36	14H1058	5	NUT, 3/4 UNC-2A A17F ZN HEX
37	GDA10075	1	ASSY, LIFT ROD LINK
38	GDA10092	1	WLDT, LIFT ARM
39	19M8162	6	SCREW, HEX, FL, JDS121, M10 X 1.5 X 40
40	N10215	8	LOCKNUT, 3/8-16 WHIZ Y
41	GDU10048	4	U-BOLT
42	E63526	4	LOCKNUT, M10 X 1.50 WHIZ GR10 Y
43	14M7518	22	LOCKNUT, FL, ISO7044, M10-1.50
44	03865551	1	WLDT, FRAME
45	03M7204	3	BOLT, RH, SQNECK, JDS136, M12 X 1.75
46	H137327	1	LOCKNUT,FLG,M6X1 DEFLECTED THR

WHEELS, TANKS AND PARKING BRAKE

Model 992609, 610, 611



PC0810

Item	Part No.	Qty.	Description
1	11M7083	2	PIN, COTTER, DIN94, 3.2 X 50-ST-ZN
2	M135582	2	CAP, DUST
3	A12188	2	NUT, 1-14 CASTLE Y
4	24H1801	2	WASHER, JDS24-1.016 X 1.5X.134-ST
5	JD8933	4	CONE, BEARING
6	E14625	2	SEAL, WHEEL BEARING
7	TCU17863	2	SPACER, CASTER
8	03866851	2	WLDT, YOKE CASTER
9	14M7276	2	NUT, ISO4032, M16 X 2-10-ZN
10	00200967	2	ASSY, WHEEL & TIRE - CASTER
11	TCU14490	4	CAP, WHEEL
12	19M7978	2	SCREW, HEX HEAD, METRIC
13	GDA10000	2	TIRE, ASSEMBLY 23 X 9.5-12 TURF
14	00960526	10	NUT, 1/2-20 LUG C
15	00200882	1	MOTOR, RH HYDRO-GEAR WHEEL
	00200883	1	MOTOR, LH HYDRO-GEAR WHEEL
16	D14196	4	FTG, ADP JIC-ORB 6801-08-08
17	H32811	8	LOCKNUT, 1/2-13 CENTER Y

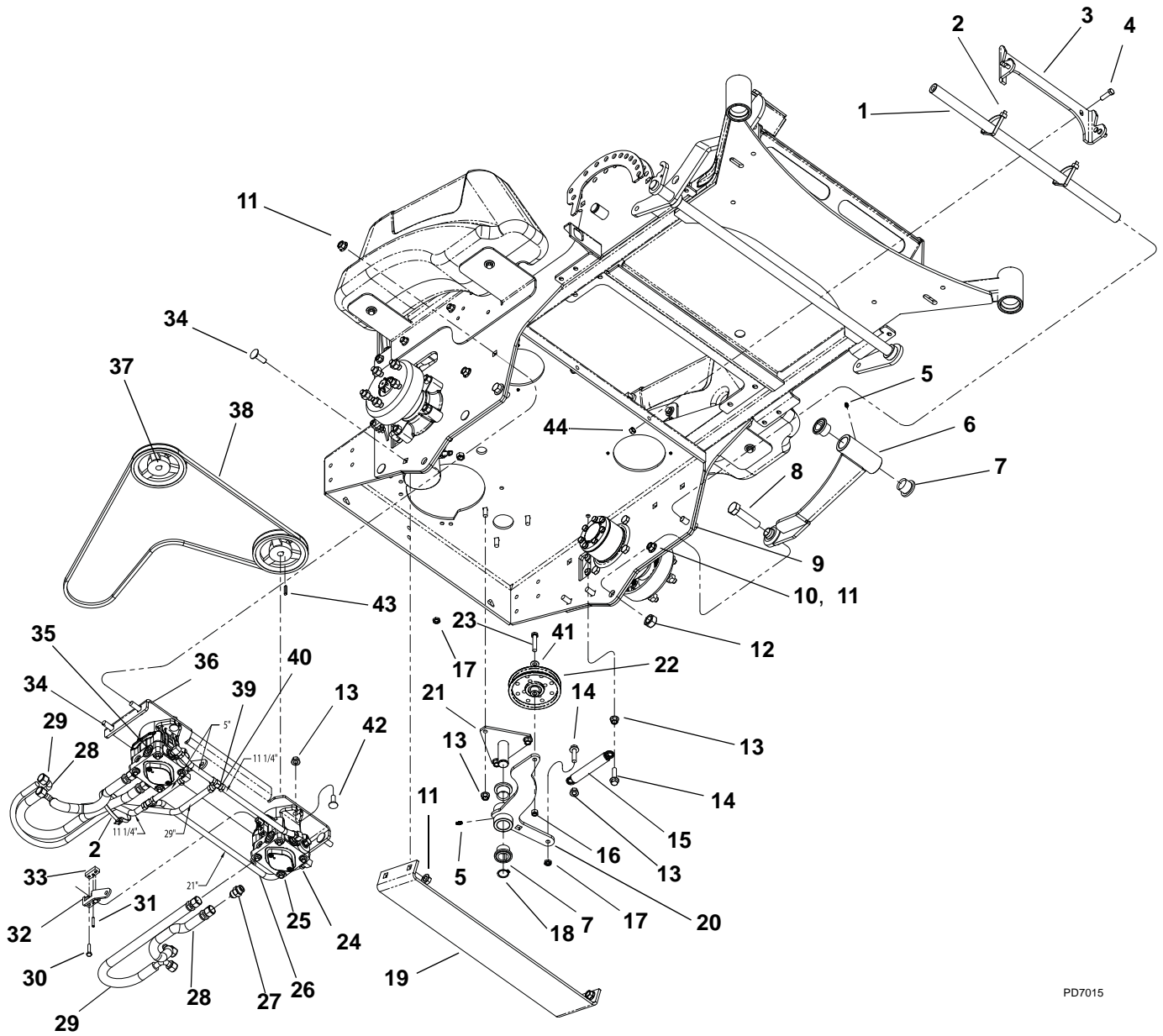
WHEELS, TANKS AND PARKING BRAKE

Model 992609, 610, 611

Item	Part No.	Qty.	Description
18	19H1930	8	SCREW, JDS19-0.500-13UNC-2AX2.5
19	14M7518	22	LOCKNUT, FL, ISO7044, M10-1.50
20	D14081	1	LOCKNUT, 5/16-18 NYLOCK Y
21	24H1776	4	WASHER, 5/16 X 3/4 FLAT
22	D24028	6	FTG, 90 9/16 MOR X 3/8 HOSE
23	GDA10137	1	FILTER, OIL
24	03M7017	8	BOLT, RD HD SQ LO, NG NECK, METR
25	19M7785	2	SCREW, HEX M10 X 1.5 X 25
26	00200836	1	BRACKET, RESERVOIR MOUNT
27	TCA15373	1	RESERVOIR, HYD. S/O
28	TCA15122	1	CAP, FILLER OIL
29	00415526	1	FOAM, 1/8" X 3/4" O.C. NEOPRENE
30	19M8008	2	BOLT, M8-1.25 X 35 HEX HEAD 10
31	00191282	1	ASSY, FUEL LINE W/ CHECK VALVES
32	00130924	3	CLAMP, HOSE - 1/2" SPRING
33	D28099	1	CABLE, RH BRAKE
34	D28100	1	CABLE, LH BRAKE
35	00961553	4	NUT, M8 X 1.25 HEX GR8.8 Y
36	D23062	2	BUSHING
37	D25014	1	WLDT, RETAINER BRAKE
38	19M8319	3	SCREW, HEX, FL, JDS121, M8 X 1.25 X 50
39	37M7059	4	SCREW, SELFT, FL, JDS145, M5 X .8 X 12
40	00200326	1	WLDT, BRAKE SWITCH BRACKET
41	AM103119	1	SWITCH, SEAT OVER RIDE (N.O.)
42	D28019	1	LEVER, BRAKE
43	03865251	2	PLATE, COVER
44	00967042	4	SCREW 5/16 X .500 HEX SELF TAPPING Y
45	03865151	1	BRACKET, LH TANK
	03865051	1	BRACKET, RH TANK
46	06437500	8	WSHR-FL-STC .328 X1.00 X .094 YWZC REV
47	07049600	8	BLT-SERHFWH .312-18 X .750 YWZC REV
48	03877300	1	FUEL TANK ASSY, LH
49	03837400	1	FUEL TANK ASSY, RH
50	01614000	1	TANK, FUEL LH
	01614100	1	TANK, FUEL RH
51	01538400	2	CAP, FUEL
52	01614451	2	CONSOLE
53	06400004	4	WASHER, FENDER .187 X .75
54	06100003	4	SCREW, MACHINE 10-24 X .375
55	01528500	2	CUPHOLDER
56	E53830	2	P-CLIP, .750 INSULATED
57	14M7517	2	LOCKNUT, DIN6924, M10 X 1.5-10-ZN
58	00960023	1	BOLT, 5/16-18 X 1.00 HEX 5 Y
59	H137328	3	LOCKNUT, M8 X 1.25, FLANGED ZN
60	D18023	1	DECAL, HYDRO OIL SPECS

HYDRAULIC PUMPS, BELTS AND IDLERS

Model 992609, 610, 611



PD7015

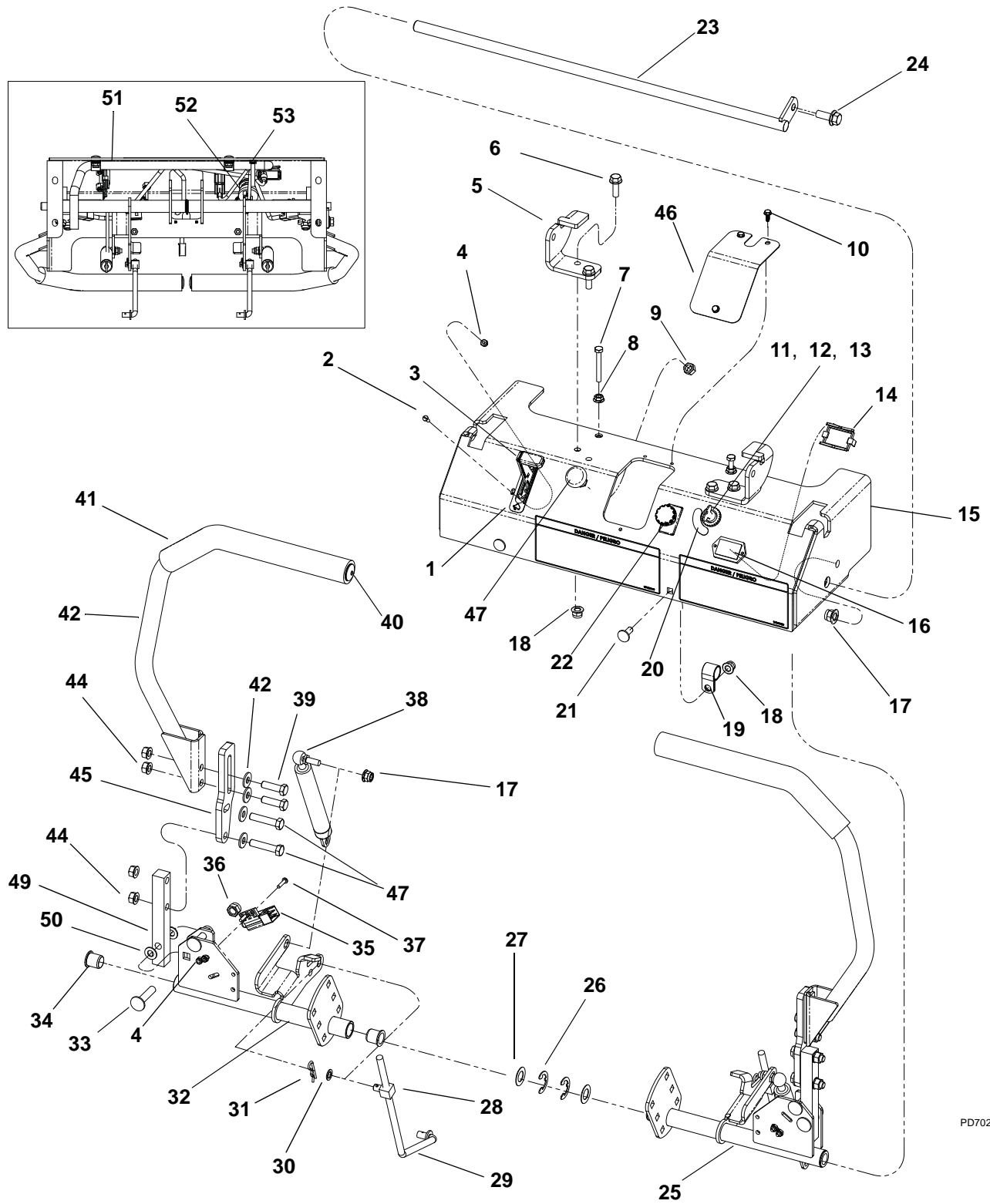
HYDRAULIC PUMPS, BELTS AND IDLERS

Model 992609, 610, 611

Item	Part No.	Qty.	Description
1	GDU10124	1	BAR, TIE
2	00967001	4	CABLE TIE, .31 X 14.6 - BLACK
3	GDA10136	1	WLDT, DAMPNER BRACKET
4	19H3693	2	SCREW, HEX FLANGE HEAD
5	00959995	9	FTG, 1/4-28 STRGT GREASE ZERK
6	GDA10085	1	WLDT, LH THRUST ARM
	GDA10084	1	WLDT, RH THRUST ARM
7	D18076	6	BRG, FLG 1.00 X 1.25 X 1.00
8	19H3280	2	SCREW, HEX HEAD 3/4-16X3.00 Y
9	19M8832	2	SCREW, FL, JDS123, M14 X 2.0 X 30-10.
10	03M7197	2	BOLT, RD HD SQNECK JDS137M 12 X 1.
11	H137329	13	LOCKNUT, M12 X 1.75 DFLCTFLG 10Y
12	00964024	2	LOCKNUT, 3/4-16 CROWN C
13	14M7518	22	LOCKNUT, FL, ISO7044, M10-1.50
14	19M8162	6	SCREW, HEX, FL, JDS121, M10 X 1.5 X 40
15	D18071	1	SPRING, EXT .900 X .135 X 4.50 Y
16	D14010	1	NUT, 3/8-16 PTHN
17	14M7152	2	NUT, JDS182, M10 X 1.5-04-ZN
18	D14104	1	RING, SNAP
19	GDU10222	1	PLATE, SUPPORT
20	D25059	1	WLDT, ARM IDLER
21	GDA10036	1	PIVOT, IDLER MOUNTING, WELDMENT
22	GDA10032	1	PULLEY, FLAT 4.50 X .375 W/BRG
23	19H1801	1	BOLT, 3/8 X 2.00 A17D ZINC HEX
24	D24028	6	FTG, 90 9/16 MOR X 3/8 HOSE
25	D28227	1	PUMP, HYDRO BDP-10A-101
26	DT5332	1	HOSE, 3/8 SAE30R7 FUEL & OIL
27	D14197	4	FITTING, STRAIGHT
28	D28026	2	HOSE
29	GDA10089	2	HOSE
30	19H2975	4	SCREW, HEX HEAD 1/4-28 X 1 1/4
31	34M5722	2	PIN, SPRING M5X30 Y
32	D25147	1	WLDT, LH PUMP ARM
	D25146	1	WLDT, RH PUMP ARM
33	D13336	2	PLATE, PUMP A'TCH
34	03M7199	8	BOLT, RHSSN M12 X 1.75 X 35 JDS137
35	D28228	1	PUMP, HYDRO BDP-10A-203
36	GDU10096	1	SUPPORT, HYDRAULIC PUMP
37	TCA15316	2	ASSY, PUMP PULLEY W/ SET SCREW
38	D28125	1	DRIVE BELT
39	M86863	2	FTG, TUN 3/8 HOSE
40	D18379	12	CLAMP, HOSE - 1/2" PINCH
41	24H1305	1	WASHER, .406 X .812 X .065
42	O3M7192	7	BOLT, RH, SQNECK, JDS137, M10 X 1.5
43	D18067	2	KEY, M5 X M5 X M30 RD
44	00968087	2	LOCKNUT, 3/8-16 NYLOC Y

STEERING LEVERS AND CONTROL PANEL

Model 992609, 610, 611



PD7020

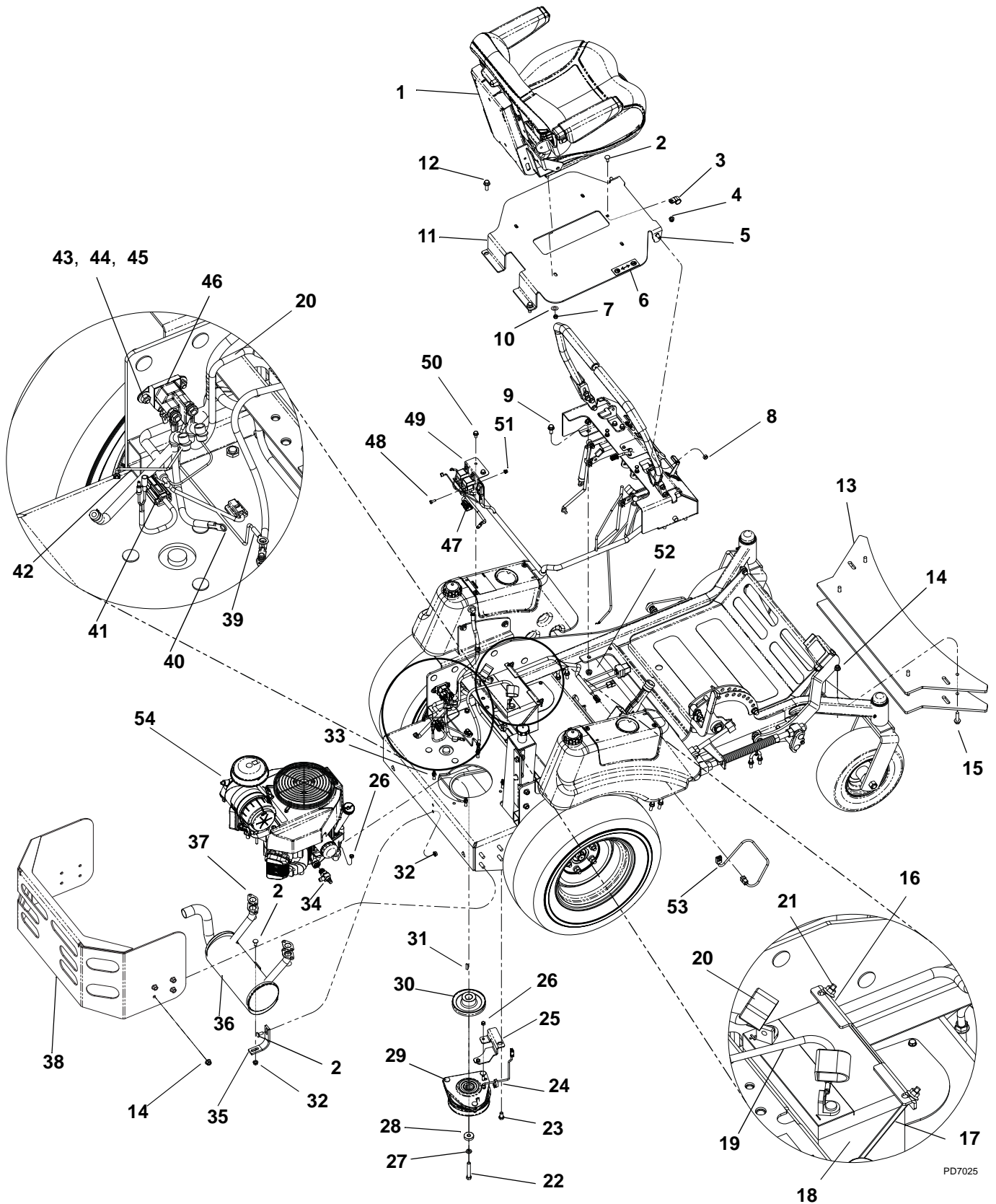
STEERING LEVERS AND CONTROL PANEL

Model 992609, 610, 611

Item	Part No.	Qty.	Description
1	D28167	1	DECAL, CONSOLE
2	21H1158	2	SCREW, .164 X .500 ZN RD HD MACH
3	00200591	1	THROTTLE
4	M63431	6	NUT, 8-32 ELASTIC STOP
5	03867651	1	BRACKET, LH, SEAT PLATE
	03867751	1	BRACKET, RH, SEAT PLATE
6	19M7867	4	SCREW, HEX, FL, JDS123, M8 X 1.25 X 25
7	D14133	2	BOLT, 1/4-20 X 2.00 HEX 5 Y
8	N10217	2	SPINLOCK NUT - 1/4
9	14H1080	1	NUT, .375 UNF2B HEX JDS14 8 ZN
10	07415800	3	SCREW, TAP 10-24 X .50 HEX WASHER HEAD
11	TCU17401	1	KEY, IGNITION A880
12	M110159	1	NUT, KNURLED
13	TCA15075	1	SWITCH, IGNITION KEY
14	TCU13098	1	CLIP, ZTRAK HOURMETER RETAINING
15	03867351	1	WLDT, CONSOLE
16	AM129887	1	METER, HOUR - LCD
17	14M7400	1	LOCKNUT, FL, ISO7043, M10 X 1.5-10
18	14M7396	8	LOCKNUT, FL, ISO7043, M8 X 1.25
19	E53830	2	P-CLIP, .750 INSULATED
20	M127610	1	LABEL, IGNITION KEY
21	03M7184	2	BOLT, M8X1.25X20 CRG 8.8 Y
22	AM118802	1	SWITCH, PTO (PULL/PUSH)
23	TCA13253	1	PIVOT, CONTROL SHAFT - PLATED
24	19M7785	1	SCREW, HEX M10X1.5X25
25	03867551	1	WLDT, PIVOT CONTROL LH
26	P46402	2	RING, RETAINING
27	00200397	2	WASHER, .627 X 1.09 X .030 THST Y
28	D33002	2	SWIVEL, 3/8-24
29	TCU17400	2	ROD, CONTROL
30	24M7388	2	SHIM, CIRCULAR
31	J16931	2	PIN, HAIR .094 X 1.53 5/16-1/2 Y
32	03867451	1	WLDT, PIVOT CONTROL RH
33	03M7195	4	BOLT, RH, SQNECK, JDS137, M10 X 1.5
34	M44508	4	BUSHING, NYLON
35	00191256	2	SWITCH, PLUNGER DP - N.O. - N.C.
36	14M7517	4	LOCKNUT, DIN6924, M10X1.5-10-ZN
37	D14288	4	SCREW, 8-32X .75 PAN PHL Y
38	TCA15322	2	ABSORBER, ASM. WITH BALL STUD
39	00960047	4	BOLT, 3/8-16 X 1.25 HEX 5 Y
40	00180639	2	PLUG, 7/8" END
41	00180617	2	GRIP, FOAM
42	03867151	2	WLDT, CONTROL LEVER
43	00960701	8	WASHER, .313 REG FLAT Y
44	00964016	8	LOCKNUT, 3/8-16 WHIZ Y
45	03818251	2	PLATE, LEVER ADJ.
46	03865351	1	COVER, CONSOLE
47	D38146	1	CABLE, CHOKE
48	00960049	4	BOLT, 3/8-16 X 1.75 HEX 5 Y
49	03866900	2	ARM, CONTROL
50	06433600	4	WASHER, FLAT NYLON .375 X .75 X .060 REV
51	GDA10037	1	WIRING HARNESS
52	24M7349	2	WASHER, M21 X 37 X 3 DIN 125T2 300HV Y
53	00967001	1	CABLE TIE, .31 X 14.6 - BLACK

SEAT, ELECTRICAL AND POWERTRAIN

Model 992609



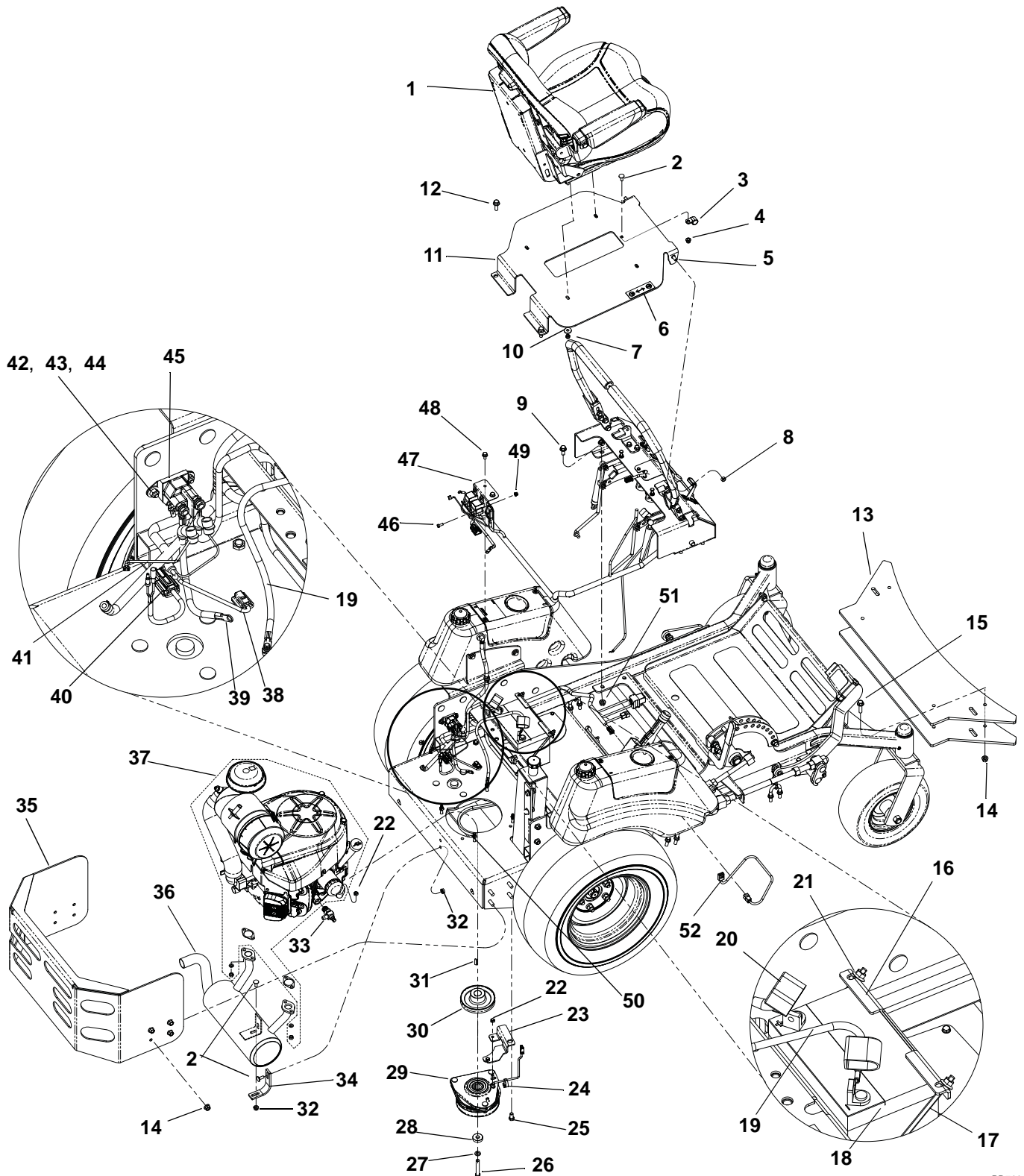
SEAT, ELECTRICAL AND POWERTRAIN

Model 992609

Item	Part No.	Qty.	Description
1	00192068	1	SEAT, FULL SUSPENSION
2	03M7184	3	BOLT, M8 X 1.25 X 20 CRG 8.8 Y
3	E53830	1	P-CLIP, .750 INSULATED
4	14M7396	1	LOCKNUT, FL, ISO7043, M8 X 1.25
5	00135139	2	BOLT, 1/2 X 1.06 X 3/8-16 SLD 5 Y
6	TCU14862	1	LABEL - PARK BRAKE DIRECTION
7	D14081	4	LOCKNUT, 5/16-18 NYLOCK Y
8	K40003	2	NUT, 3/8 LOCK
9	19M7785	4	SCREW, HEX M10 X 1.5 X 25
10	24H1887	4	WASHER, .344 X 1.00 X .134 FLAT Y
11	03865463	1	PLATE, SEAT S/O
12	19M7786	10	SCREW, HEX , FL, JDS123, M10 X 1.5 X 30
13	03869051	2	PLATE, WEIGHT
14	14M7518	12	LOCKNUT, FL, ISO7044, M10-1.50
15	19M8162	4	SCREW, HEX , FL, JDS121, M10 X 1.5 X 40
16	GDU10204	1	HOLDER, BATTERY
17	D23047	2	J BOLT
18	00181779	1	BATTERY, 12V-U1-CCA 400 MIN
19	00180843	1	CABLE, BATTERY - 20" GROUND
20	D28118	1	CABLE, BATTERY POSITIVE
21	H122207	2	NUT-1/4" FLANGE PREVAILING TORQUE
22	00967394	1	BOLT, 7/16-20 X 2.75 HEX 5 Y
23	00960078	1	BOLT, 7/16-14 X .750 HEX 5 Y
24	00967001	2	CABLE TIE, .31 X 14.6 - BLACK
25	00200666	1	PLATE, CLUTCH DOG
26	00964021	6	LOCKNUT, 5/16-18 CROWN Y
27	00960603	1	WASHER, .438 MED SPRG LOCK Y
28	D18056	1	SPACER, .468 X 1.38 X .375 Y
29	00200665	1	CLUTCH ASSY, OGURA
30	00200318	1	PULLEY, V-BELT 4.78PD X 1.000 W/KEY
31	D18145	1	KEY, .250 X .250 X .995 TPR
32	H137328	2	LOCKNUT, M8 X 1.25, FLANGED ZN
33	00960026	4	BOLT, 5/16-18 X 1.75 HEX 5 Y
34	TCA16240	1	OIL DRAIN FITTING
35	D22236	1	BRACKET, MUFFLER
36	00200822	1	MUFFLER, CHARIOT ACS KAI
37	M135790	2	GASKET, MUFFLER
38	03889863	1	BUMPER, REAR GDKW
39	GDA10110	1	WIRE, GROUNDWIRE, EFI FUEL PUMP
40	00180842	1	CABLE, 12" STARTER
41	GDA10055	1	HARNESS, PIGTAIL
42	00200924	1	FUSIBLE LINK, 10"
43	00960001	2	BOLT, 1/4-20 X .750 HEX 5 Y
44	00964031	2	LOCKNUT, 1/4-20 CENTER Y
45	00960700	2	WASHER, .250 REG FLAT Y
46	03551000	1	SOLENOID, 12 V STARTER
47	AM123716	2	RELAY, SEALED W/BRACKET
48	19M7775	3	SCREW, HEX JDS123, M6 X 1 X 16 Z
49	GDU10170	1	BRACKET, ELECTRIC MOUNTING
50	19M7865	2	SCREW, HEX , FL, JDS123, M8 X 1.25 X 16
51	14M7397	3	LOCKNUT, F1.ISO7043M6 X 1-10
52	E63526	4	LOCKNUT, M10 X 1.50 WHIZ GR10 Y
53	D38018	1	HARNESS, WIRING
54	00200675	1	ENGINE, KAWASAKI 19HP FH580V

SEAT, ELECTRICAL AND POWERTRAIN

Model 992610



PD703C

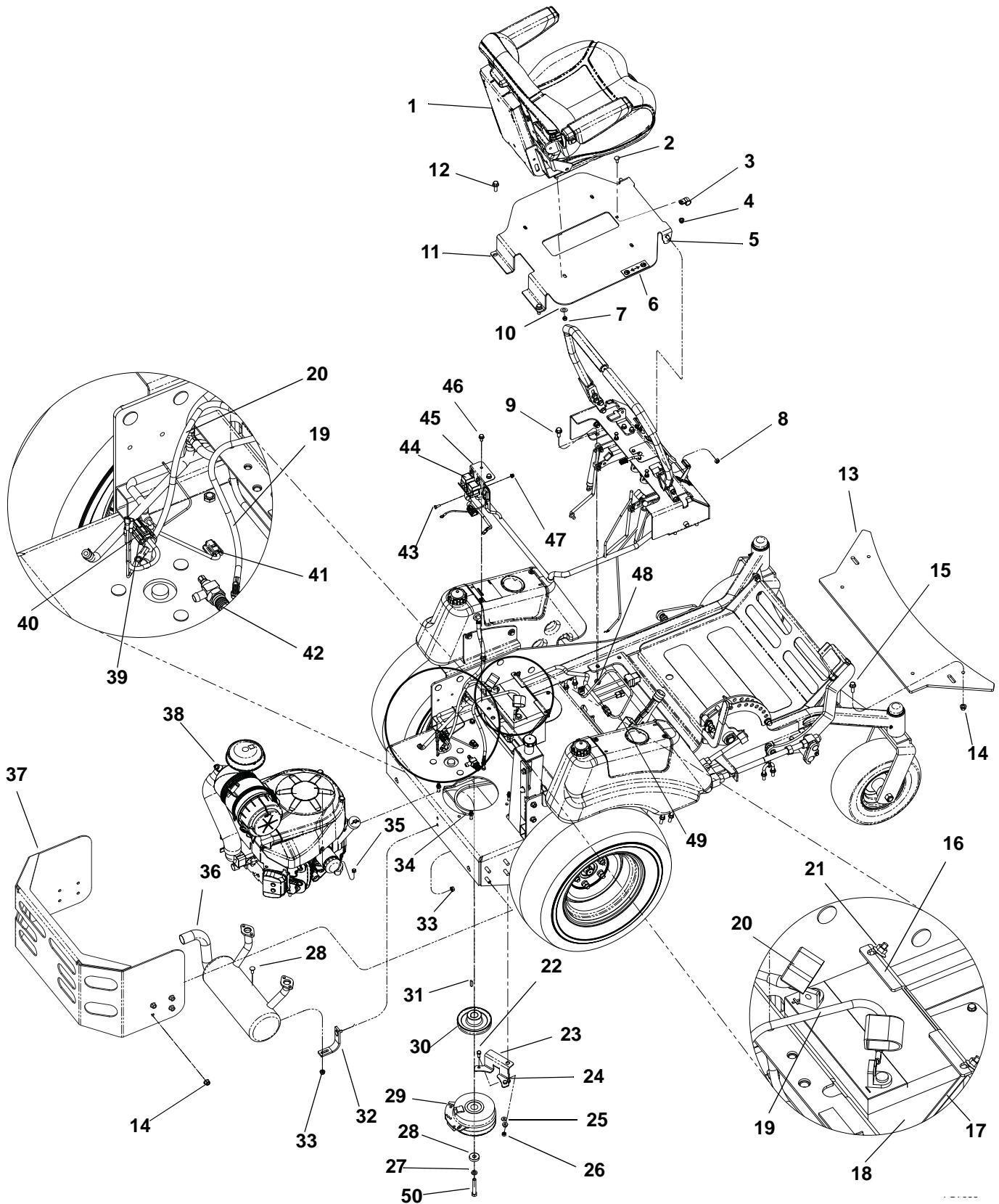
SEAT, ELECTRICAL AND POWERTRAIN

Model 992610

Item	Part No.	Qty.	Description
1	00192068	1	SEAT, FULL SUSPENSION
2	03M7184	3	BOLT, M8 X 1.25 X 20 CRG 8.8 Y
3	E53830	1	P-CLIP, .750 INSULATED
4	14M7396	1	LOCKNUT, FL, ISO7043, M8 X 1.25
5	00135139	2	BOLT, 1/2 X 1.06 X 3/8-16 SLD 5 Y
6	TCU14862	1	LABEL - PARK BRAKE DIRECTION
7	D14081	4	LOCKNUT, 5/16-18 NYLOCK Y
8	K40003	2	NUT, 3/8 LOCK
9	19M7785	4	SCREW, HEX M10 X 1.5 X 25
10	24H1887	4	WASHER, .344 X 1.00 X .134 FLAT Y
11	03865453	1	PLATE, SEAT S/O
12	19M7786	10	SCREW, HEX , FL, JDS123, M10 X 1.5 X 30
13	03869051	2	PLATE, WEIGHT
14	14M7518	12	LOCKNUT, FL, ISO7044, M10-1.50
15	19M8162	4	SCREW, HEX , FL, JDS121, M10 X 1.5 X 40
16	GDU10204	1	HOLDER, BATTERY
17	D23047	2	J BOLT
18	00181779	1	BATTERY, 12V-U1-CCA 400 MIN
19	00180843	1	CABLE, BATTERY - 20" GROUND
20	D28118	1	CABLE, BATTERY POSITIVE
21	H122207	2	NUT-1/4" FLANGE PREVAILING TORQUE
22	00964021	6	LOCKNUT, 5/16-18 CROWN Y
23	00200666	1	PLATE, CLUTCH DOG
24	00967001	2	CABLE TIE, .31 X 14.6 - BLACK
25	00960078	1	BOLT, 7/16-14 X .750 HEX 5 Y
26	00967394	1	BOLT, 7/16-20 X 2.75 HEX 5 Y
27	00960603	1	WASHER, .438 MED SPRG LOCK Y
28	D18056	1	SPACER, .468 X 1.38 X .375 Y
29	00200665	1	CLUTCH ASSY, OGURA
30	00200318	1	PULLEY, V-BELT 4.78PD X 1.000 W/ KEY
31	D18145	1	KEY, .250 X .250 X .995 TPR
32	H137328	2	LOCKNUT, M8 X 1.25, FLANGED ZN
33	TCA16240	1	OIL DRAIN FITTING
34	D22236	1	BRACKET, MUFFLER
35	03889863	1	BUMPER, REAR GDKW
36	TCA14018	1	MUFFLER, MINI-Z
37	00191123	1	ENGINE, KAWASAKI 23HP (INCLUDES MUFFLER GASKETS AND HARDWARE)
38	00200302	1	HARNESS, SEAT RELAY
39	00180842	1	CABLE, 12" STARTER
40	GDA10055	1	HARNESS, PIGTAIL
41	00200924	1	FUSIBLE LINK, 10"
42	00960001	2	BOLT, 1/4-20 X .750 HEX 5 Y
43	00964031	2	LOCKNUT, 1/4-20 CENTER Y
44	00960700	2	WASHER, .250 REG FLAT Y
45	03551000	1	SOLENOID, 12 V STARTER
46	19M7775	3	SCREW, HEX JDS123, M6 X 1 X 16 Z
47	GDU10170	1	BRACKET, ELECTRIC MOUNTING
48	19M7865	2	SCREW, HEX , FL, JDS123, M8 X 1.25 X 16
49	14M7397	3	LOCKNUT, F1.ISO7043M6 X 1-10
50	00960026	4	BOLT, 5/16-18 X 1.75 HEX 5 Y
51	E63526	4	LOCKNUT, M10 X 1.50 WHIZ GR10 Y
52	D38018	1	HARNESS, WIRING

SEAT, ELECTRICAL AND POWERTRAIN

Model 992611



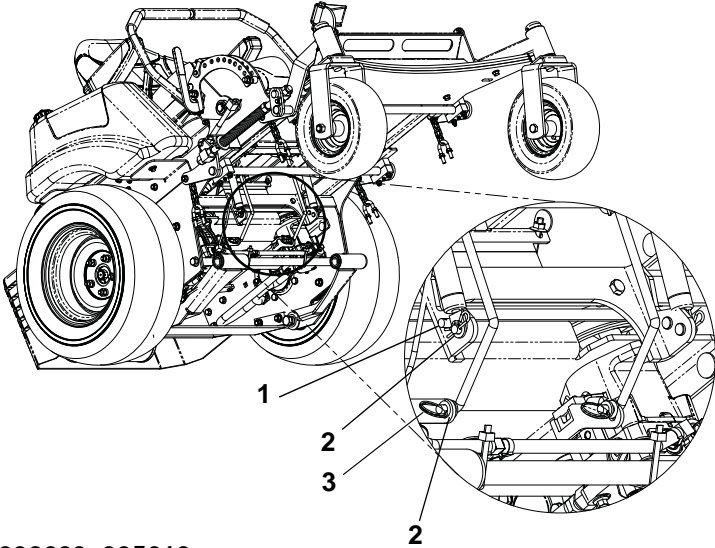
SEAT, ELECTRICAL AND POWERTRAIN

Model 992611

Item	Part No.	Qty.	Description
1	00192068	1	SEAT, FULL SUSPENSION
2	03M7184	3	BOLT, M8 X 1.25 X 20 CRG 8.8 Y
3	E53830	1	P-CLIP, .750 INSULATED
4	14M7396	1	LOCKNUT, FL, ISO7043, M8 X 1.25
5	00135139	2	BOLT, 1/2 X 1.06 X 3/8-16 SLD 5 Y
6	TCU14862	1	LABEL - PARK BRAKE DIRECTION
7	D14081	4	LOCKNUT, 5/16-18 NYLOCK Y
8	K40003	2	NUT, 3/8 LOCK
9	19M7785	4	SCREW, HEX M10 X 1.5 X 25
10	24H1887	4	WASHER, .344 X 1.00 X .134 FLAT Y
11	03865453	1	PLATE, SEAT S/O
12	19M7786	10	SCREW, HEX , FL, JDS123, M10 X 1.5 X 30
13	03869051	2	PLATE, WEIGHT
14	14M7518	12	LOCKNUT, FL, ISO7044, M10-1.50
15	19M8162	4	SCREW, HEX , FL, JDS121, M10 X 1.5 X 40
16	GDU10204	1	HOLDER, BATTERY
17	D23047	2	J BOLT
18	00181779	1	BATTERY, 12V-U1-CCA 400 MIN
19	00180843	1	CABLE, BATTERY - 20" GROUND
20	D28118	1	CABLE, BATTERY POSITIVE
21	H122207	2	NUT-1/4" FLANGE PREVAILING TORQUE
22	00960022	2	BOLT, 5/16-18 X .750 HEX 5 Y
23	00200824	1	BRACKET, CLUTCH STOP
24	00960080	1	BOLT, 7/16-14 X 1.25 HEX 5 Y
25	00960700	2	WASHER, .250 REG FLAT Y
26	00967279	2	LOCKNUT, 5/16-18 CENTER Y
27	00960603	1	WASHER, .438 MED SPRG LOCK Y
28	D18056	1	SPACER, .468 X 1.38 X .375 Y
29	GDA10017	1	CLUTCH
30	00200318	1	PULLEY, V-BELT 4.78PD X 1.000 W/ KEY
31	D18145	1	KEY, .250 X .250 X .995 TPR
32	D22236	1	BRACKET, MUFFLER
33	H137328	2	LOCKNUT, M8 X 1.25, FLANGED ZN
34	00960026	4	BOLT, 5/16-18 X 1.75 HEX 5 Y
35	00964021	4	LOCKNUT, 5/16-18 CROWN Y
36	TCA14018	1	MUFFLER, MINI-Z
37	03889863	1	BUMPER, REAR GDKW
38	GDA10120	1	ENGINE, KAE25HP FH721V
39	GDA10055	1	HARNESS, PIGTAIL
40	00200924	1	FUSIBLE LINK, 10"
41	00200302	1	HARNESS, SEAT RELAY
42	TCA16240	1	OIL DRAIN FITTING
43	19M7775	3	SCREW, HEX JDS123, M6 X 1 X 16 Z
44	AM123716	2	RELAY, SEALED W/ BRACKET
45	GDU10170	1	BRACKET, ELECTRIC MOUNTING
46	19M7865	2	SCREW, HEX , FL, JDS123, M8 X 1.25 X 16
47	D38018	1	HARNESS, WIRING
48	14M7397	3	LOCKNUT, F1.ISO7043M6 X 1-10
49	E63526	4	LOCKNUT, M10 X 1.50 WHIZ GR10 Y
50	00967394	1	BOLT, 7/16-20 X 2.75 HEX 5 Y

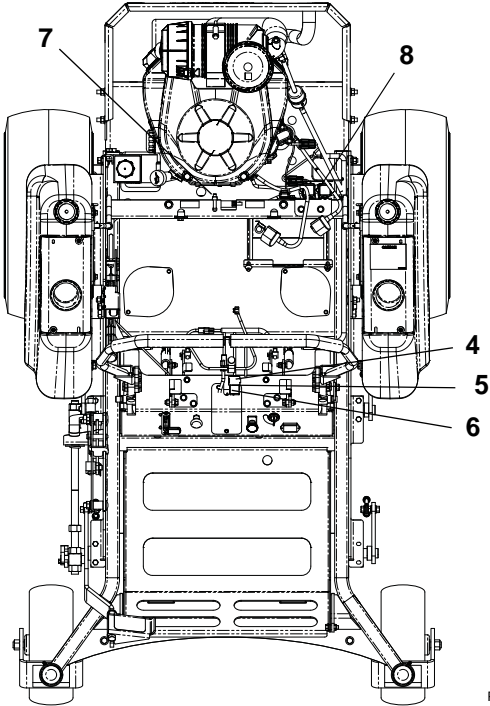
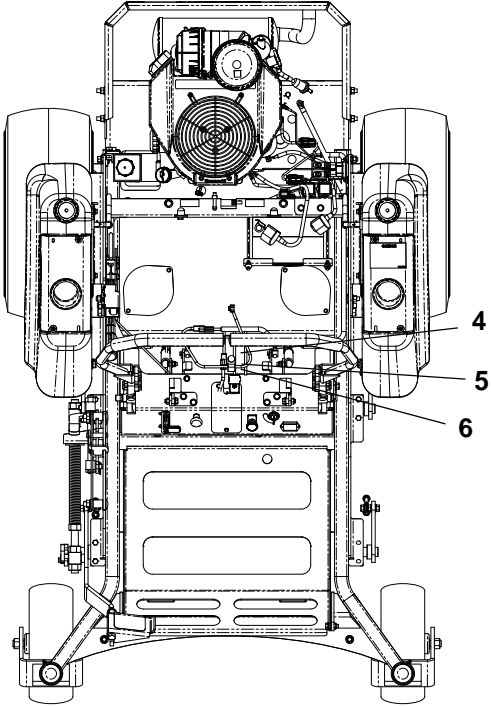
RELAYS AND SEAT HARNESS

Model 992609, 610, 611



992609, 995610

992611



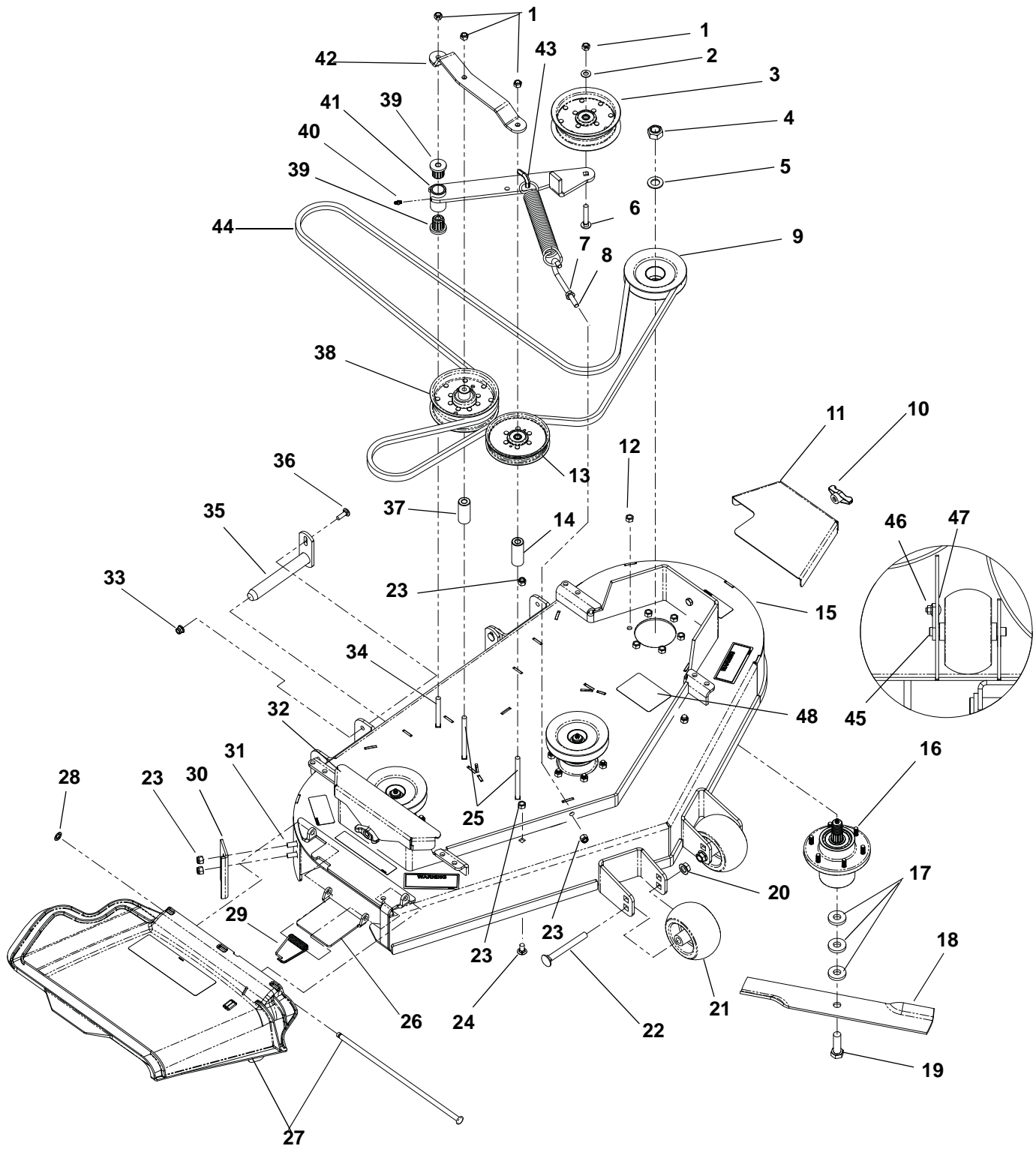
PD7040

Item	Part No.	Qty.	Description
1	J16931	2	PIN, HAIR .094 X 1.53 5/16-1/2 Y
2	24M7106	4	WASHER, ISO8738, 10-160HV-ZN
3	M88183	2	RING, RETAINING
4	00200302	1	HARNESS, SEAT RELAY
5	00963101	1	SCREW, 12-24 SELF DRILLING
6	00102770	1	RELAY, ISO MINI ELEC.
7	00967001	1	CABLE TIE, .31 X 14.6 - BLACK
8	AM123716	2	RELAY, SEALED W/ BRACKET

NOTES

48-INCH MOWER DECK

Model 992609



PD7045

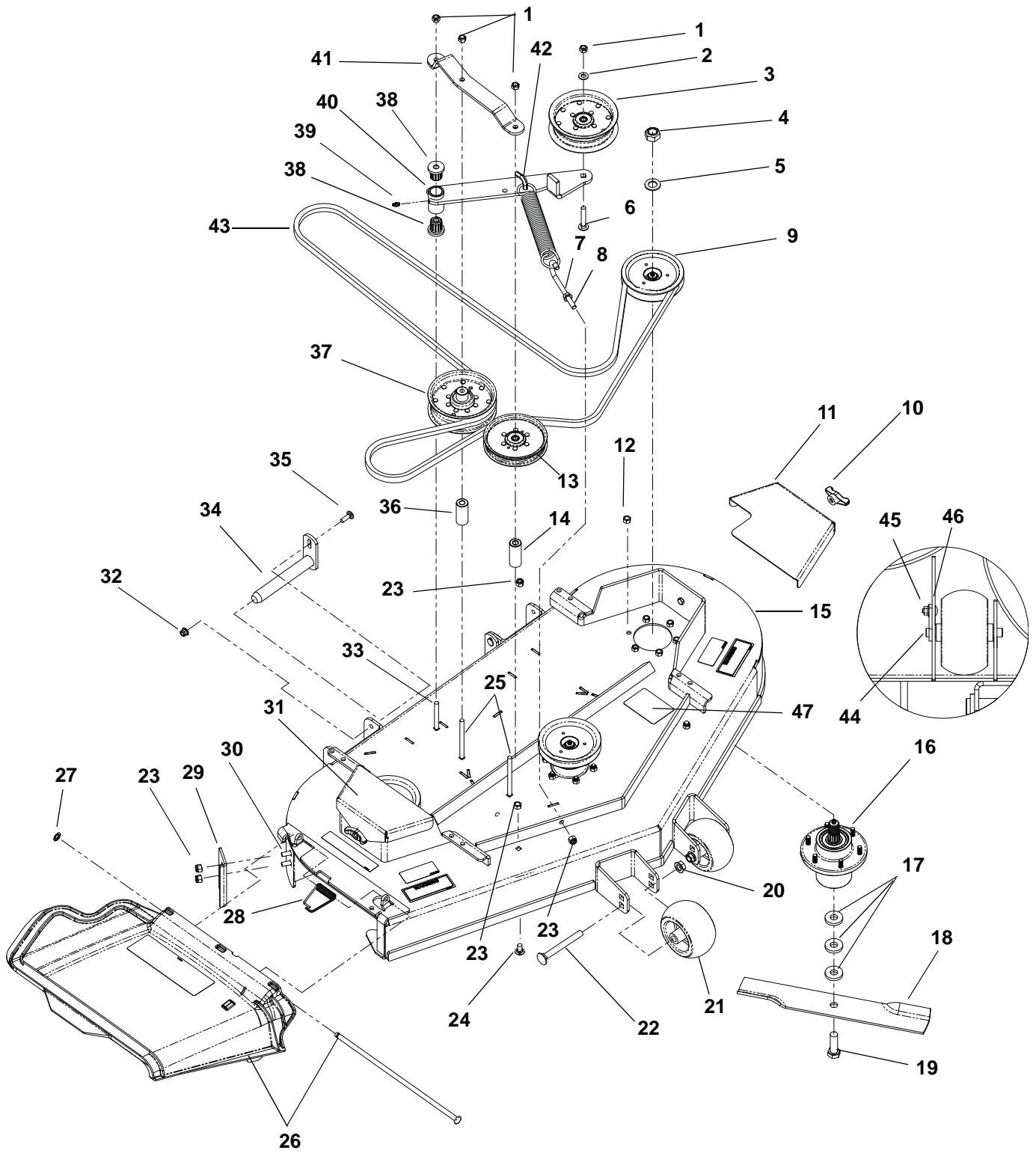
48-INCH MOWER DECK

Model 992609

Item	Part No.	Qty.	Description
1	00964022	4	LOCKNUT, 3/8-16 CROWN Y
2	00964501	1	WASHER, .406 X .813 X .065 FLAT Y
3	D18032	1	PULLEY, FLAT 5.0 X.38 W/BRG
4	00964024	3	LOCKNUT, 3/4-16 CROWN C
5	03399703	3	WASHER, .75X1.3125X .113
6	03H1658	1	BOLT, 3/8-16X2.25 CRG 5 Y
7	N10215	1	LOCKNUT, 3/8-16 WHIZ Y
8	D23058	1	J-BOLT, 3/8-16 X 4.00 Y
9	03828700	3	PULLEY, SPLINE SPINDLE OFFSET
10	M119352	2	KNOB, LOCKING
11	03870763	1	WLDT, BELT COVER LH 48
12	00960502	18	NUT, 3/8-16 STD HEX GR5 Y
13	D28050	1	PULLEY, FLAT 5.00 X .375 W/BRG
14	GDU10181	1	SPACER, .437 X 1.00 X 2.50 SMLS
15	03870300	1	ASSY, 48 EVERRIDE DECK W/ DECALS
16	00200260	3	ASSY, SPINDLE HOUSING
17	D18055	9	WASHER, BLADE
18	GDU10230	3	BLADE, 16.50 LO-LIFT
19	00967348	3	BOLT, 5/8-11 X 2.00 HEX 8 Y
20	E62934	2	LOCKNUT 1/2 W/ FLANGE
21	TCU18744	4	WHEEL, GAGE
22	03H1853	2	BOLT, 1/2-13X4.50 CRG 5 Y
23	00968087	5	LOCKNUT, 3/8-16 NYLOC Y
24	00963033	2	BOLT, 3/8-16 X 3/4 CAR GR5 LNNK
25	03H1838	2	BOLT, CAR 3/8-16 X 5.00
26	00200095	1	BRACKET, CHUTE SUPPORT 48" DECK
27	TCA16387	1	CHUTE DISCHARGE ASST #
28	H141123	1	RETAINER #
29	03393800	1	SPRING, DISCHARGE CHUTE
30	03754063	1	PLATE, EXTENDER 48" HYDRO
31	00963019	2	BOLT, 3/8-16 X 1.00 CRG 5 SN Y
32	03870863	1	WLDT, BELT COVER RH 48
33	14M7396	2	LOCKNUT, FL, ISO7043, M8X1.25
34	03H1836	1	BOLT, 3/8-16X3.50 CRG 5 Y
35	TCA13292	2	PIN, WELDED
36	03M7185	2	BOLT, RH, SQNECK, JDS137, M8X1.25X
37	GDU10180	1	SPACER, .437 X 1.00 X 2.25 SMLS
38	TCA14548	1	PULLEY, FLAT 5.25 X .375 W/BRG
39	TCU14540	2	BRG, FLG M1 X M25 X M27 FLUTED
40	00959995	1	FTG, 1/4-28 STRGT GREASE ZERK
41	TCA15346	1	ARM, IDLER
42	GDU10119	1	STRAP, IDLER PULLEY
43	D28025	1	SPRING, DECK IDLER
44	TCU16092	1	BELT
45	GDA10103	2	PIVOT, RETAINER WELD
46	H122207	2	NUT, 1/4" FLANGE PREVAILING TOR
47	00963095	2	BOLT, 1/4-20 X .750 CRG 5 Y
48	GDU10262	1	DECAL, BELT PATH

52-INCH MOWER DECK

Model 992610



PD7050

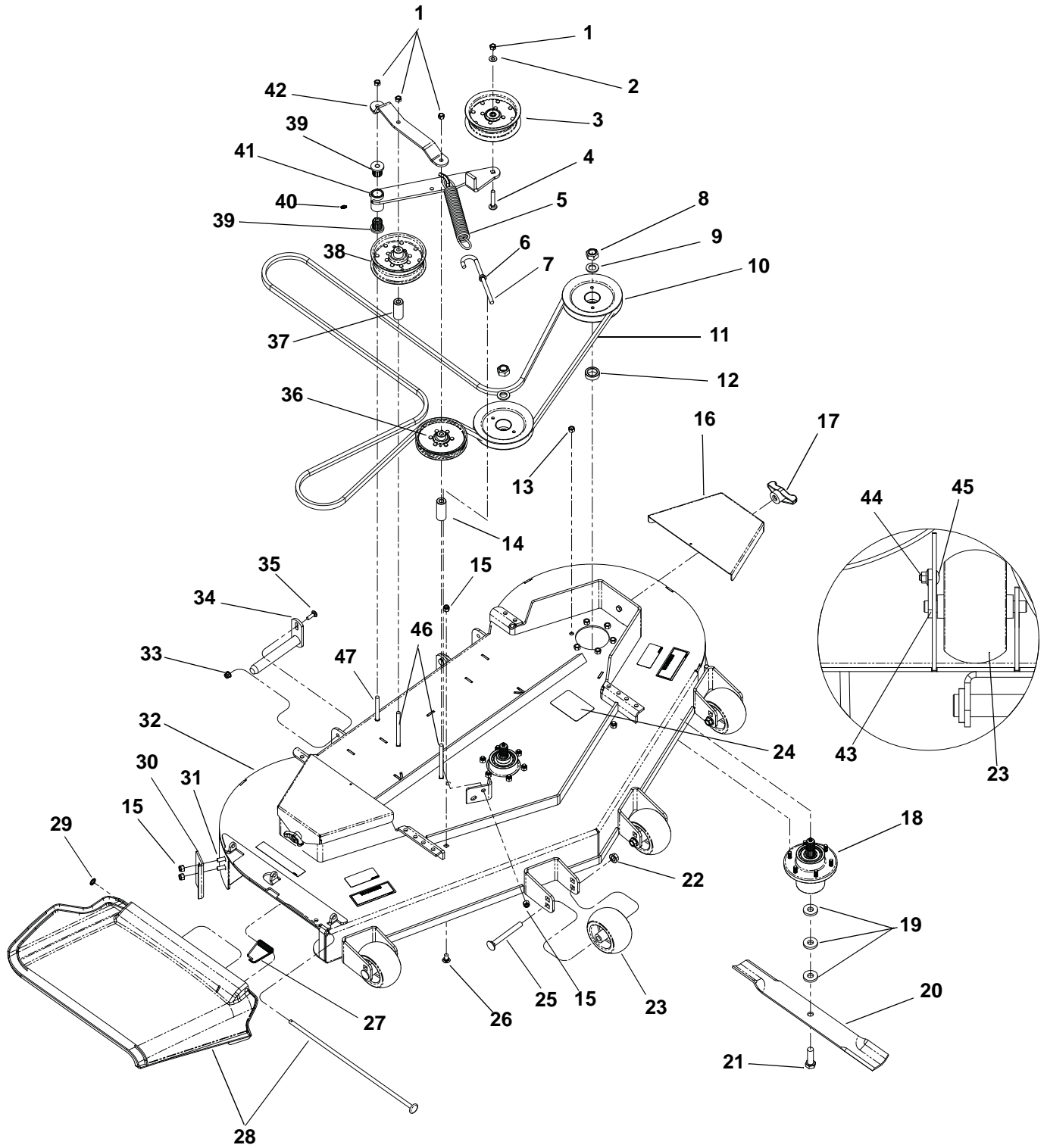
52-INCH MOWER DECK

Model 992610

Item	Part No.	Qty.	Description
1	K40003	4	NUT, 3/8 LOCK
2	24H1305	1	WASHER, .406X.812X.065
3	D18032	1	PULLEY, FLAT 5.0 X.38 W/BRG
4	00964024	3	LOCKNUT, 3/4-16 CROWN C
5	03399703	3	WASHER, .75X1.3125X .113
6	03H1658	1	BOLT, 3/8-16X2.25 CRG 5 Y
7	N10215	1	LOCKNUT, 3/8-16 WHIZ Y
8	D23058	1	J-BOLT, 3/8-16 X 4.00 Y
9	03399702	3	PULLEY, SPLINE SPINDLE LSE
10	M119352	2	KNOB, LOCKING
11	03869863	1	WELDMENT, BELT COVER LH 52
12	00960502	18	NUT, 3/8-16 STD HEX GR5 Y
13	D28050	1	PULLEY, FLAT 5.00 X .375 W/BRG
14	GDU10181	1	SPACER, .437 X 1.00 X 2.50 SMLS
15	03869400	1	ASSY, 52 EVERRIDE DECK W/ DECALS
16	00200260	3	ASSY, SPINDLE HOUSING
17	D18055	9	WASHER, BLADE
18	GDU10231	3	BLADE, 18.000 x .80 LIFT
19	00967348	3	BOLT, 5/8-11 X 2.00 HEX 8 Y
20	E62934	2	LOCKNUT 1/2 W/ FLANGE
21	TCU18744	4	WHEEL, GAGE
22	03H1853	2	BOLT, 1/2-13 X 4.50 CRG 5 Y
23	00968087	5	LOCKNUT, 3/8-16 NYLOC Y
24	00963033	2	BOLT, 3/8-16 X 3/4 CAR GR5 LNNK
25	03H1838	2	BOLT, CAR 3/8-16 X 5.00
26	TCA16387	1	CHUTE DISCHARGE ASST #
27	H141123	1	RETAINER #
28	03393800	1	SPRING, DISCHARGE CHUTE
29	03754063	1	PLATE, EXTENDER 48" HYDRO
30	00963019	2	BOLT, 3/8-16 X 1.00 CRG 5 SN Y
31	03869963	1	WELDMENT, BELT COVER rRH 52
32	14M7396	2	LOCKNUT, FL,ISO7043,M8X1.25
33	03H1836	1	BOLT, 3/8-16X3.50 CRG 5 Y
34	TCA13292	2	PIN, WELDED
35	03M7185	2	BOLT, RH, SQNECK, JDS137, M8X1.25X
36	GDU10180	1	SPACER, .437 X 1.00 X 2.25 SMLS
37	TCA14548	1	PULLEY, FLAT 5.25 X .375 W/ BRG
38	TCU14540	2	BRG, FLG M1 X M25 X M27 FLUTED
39	00959995	1	FTG, 1/4-28 STRGT GREASE ZERK
40	TCA15346	1	ARM, IDLER
41	GDU10119	1	STRAP, IDLER PULLEY
42	D28025	1	SPRING, DECK IDLER
43	TCU16093	1	BELT
44	GDA10103	2	PIVOT, RETAINER WELD
45	H122207	2	NUT-1/4" FLANGE PREVAILING TOR
46	00963095	2	BOLT, 1/4-20 X .750 CRG 5 Y
47	GDU10262	1	DECAL, BELT PATH

61-INCH MOWER DECK

Model 992611



PD7055

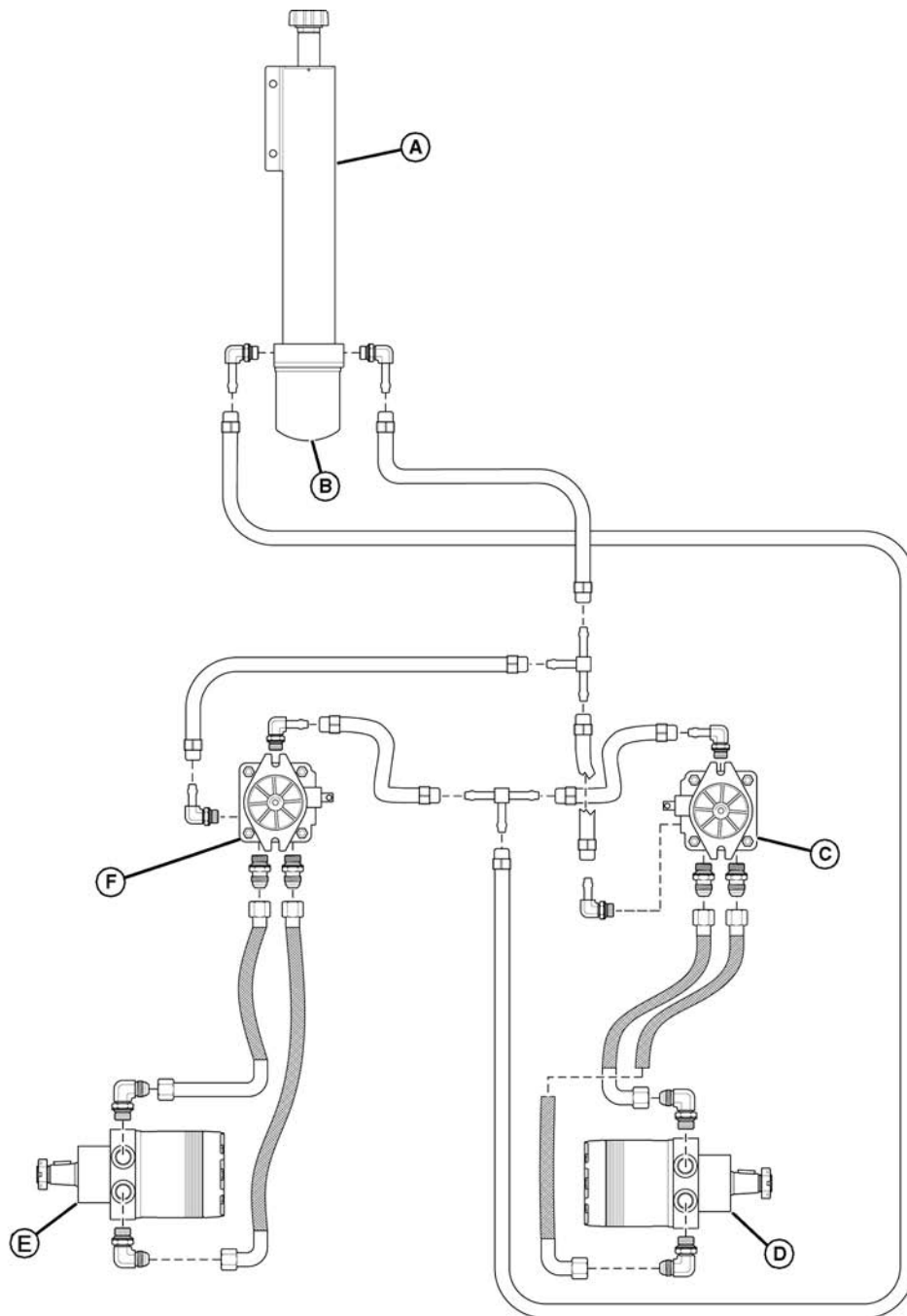
61-INCH MOWER DECK

Model 992611

Item	Part No.	Qty.	Description
1	00964022	4	LOCKNUT, 3/8-16 CROWN Y
2	00964501	1	WASHER, .406 X .813 X .065 FLAT Y
3	D18032	1	PULLEY, FLAT 5.0 X .38 W/ BRG
4	03H1658	1	BOLT, 3/8-16 X 2.25 CRG 5 Y
5	D28025	1	SPRING, DECK IDLER
6	N10215	1	LOCKNUT, 3/8-16 WHIZ Y
7	D13005	1	J-HOOK, IDLER
8	00964024	3	LOCKNUT, 3/4-16 CROWN C
9	03399703	3	WASHER, .75 X 1.3125 X .113
10	D18211	3	HUB, LARGE PULLEY TALL
11	GDU10228	1	BELT, V
12	D13024	3	SPACER, 1.500 X 1.000 X .510 Y
13	00960502	18	NUT, 3/8-16 STD HEX GR5 Y
14	GDU10181	1	SPACER, .437 X 1.00 X 2.50 SMLS
15	00968087	5	LOCKNUT, 3/8-16 NYLOC Y
16	03868763	2	COVER, BELT
17	M119352	2	KNOB, LOCKING
18	00200260	3	ASSY, SPINDLE HOUSING
19	D18055	9	WASHER, BLADE
20	GDU10232	3	BLADE, 20.940 LO-LIFT
21	00967348	3	BOLT, 5/8-11 X 2.00 HEX 8 Y
22	E62934	4	LOCKNUT 1/2 W/ FLANGE
23	TCU18744	6	WHEEL, GAGE
24	GDU10262	1	DECAL, BELT PATH
25	03H1853	4	BOLT, 1/2-13 X 4.50 CRG 5 Y
26	00963033	2	BOLT, 3/8-16 X 3/4 CAR GR5 LNNK
27	03393800	1	SPRING, DISCHARGE CHUTE
28	AM127488	1	CHUTE, ASSY
29	H141123	1	RETAINER #
30	03754063	1	PLATE, EXTENDER 48" HYDRO
31	00963019	2	BOLT, 3/8-16 X 1.00 CRG 5 SN Y
32	03868300	1	ASSY, 61 DECK w/ DECALS
33	14M7396	2	LOCKNUT, FL, ISO7043, M8 X 1.25
34	TCA13292	2	PIN, WELDED
35	03M7185	2	BOLT, RH, SQNECK, JDS137, M8 X 1.25
36	D28050	1	PULLEY, FLAT 5.00 X .375 W/ BRG
37	GDU10180	1	SPACER, .437 X 1.00 X 2.25 SMLS
38	TCA14548	1	PULLEY, FLAT 5.25 X .375 W/BRG
39	TCU14540	2	BRG, FLG M10 X M25 X M27 FLUTED
40	00959995	1	FTG, 1/4-28 STRGT GREASE ZERK
41	TCA15346	1	ARM, IDLER
42	GDU10119	1	STRAP, IDLER PULLEY
43	GDA10103	2	PIVOT, RETAINER WELD
44	H122207	2	NUT-1/4" FLANGE PREVAILING TOR
45	00963095	2	BOLT, 1/4-20 X .750 CRG 5 Y
46	03H1838	2	BOLT, CAR 3/8-16 X 5.00
47	03H1836	1	BOLT, 3/8-16 X 3.50 CRG 5 Y

HYDRAULIC HOSE ROUTING

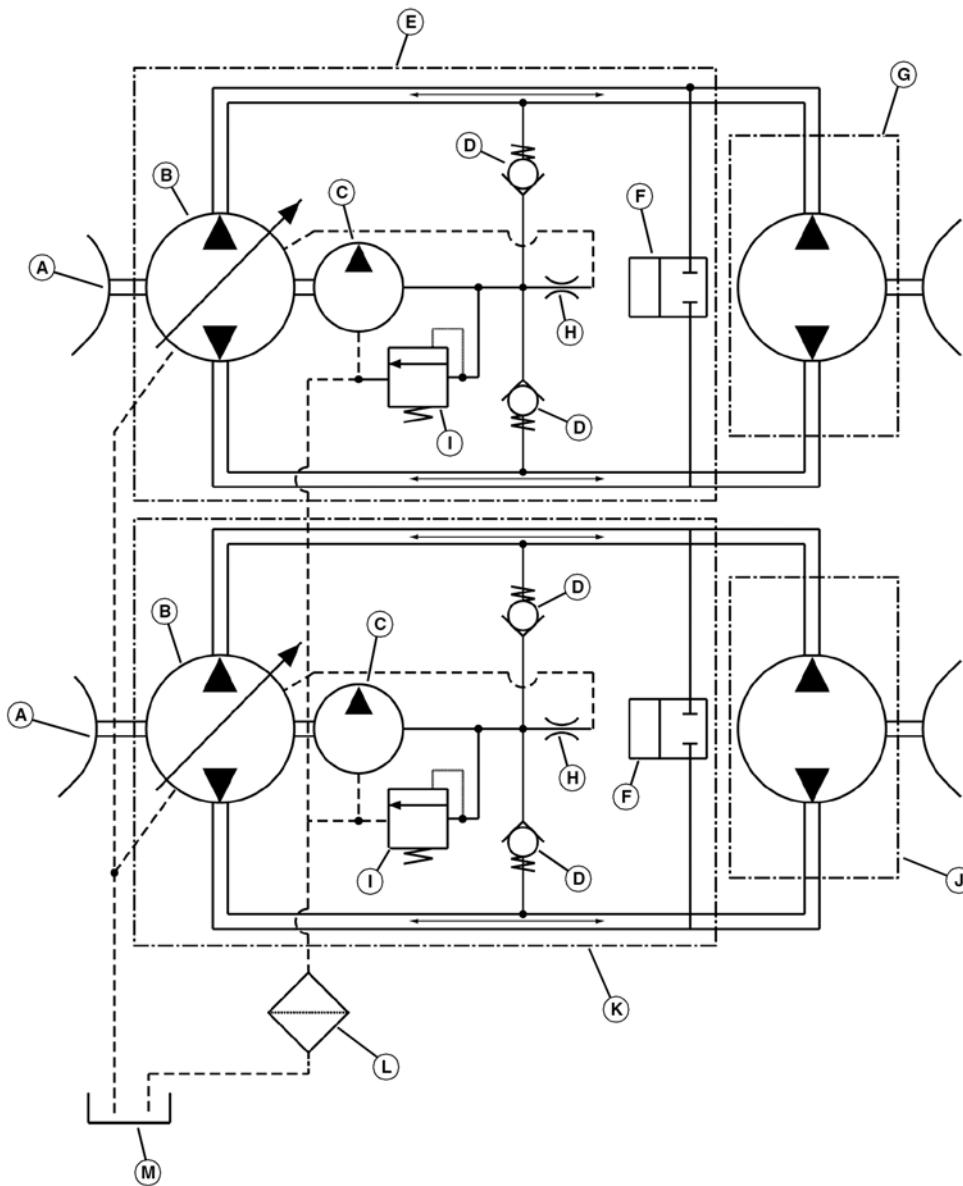
Model 992609, 610, 611992609



- A - Hydraulic Reservoir
- B - Oil Filter
- C - Right Hydraulic Pump
- D - Right Wheel Motor
- E - Left Wheel Motor
- F - Left Hydraulic Pump

HYDRAULIC SYSTEM SCHEMATIC

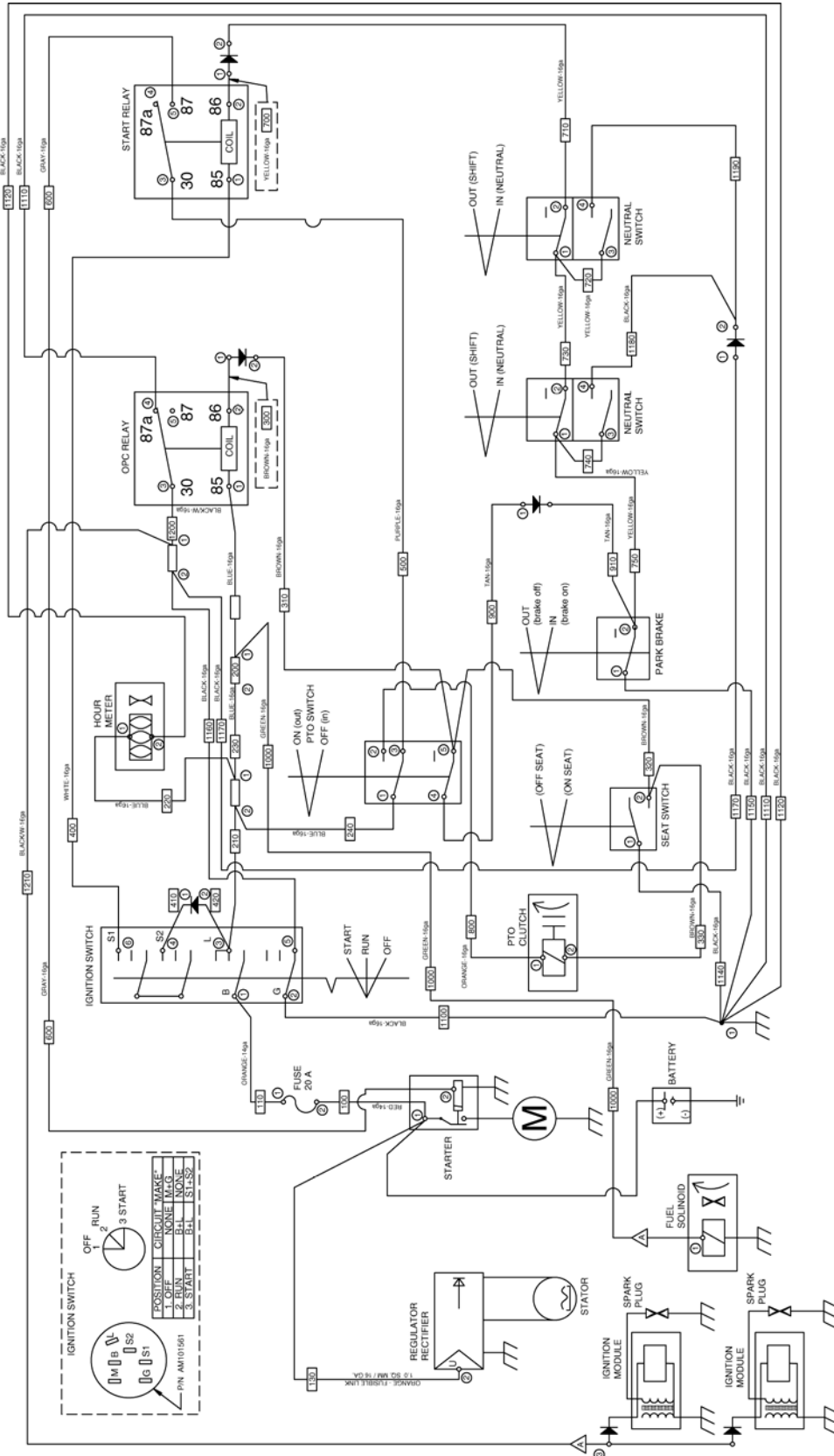
Model 992609, 610, 611



- A - Control Input Shaft
- B - Pump Block
- C - Charge Pump
- D - Charge System Check Valve
- E - Right Hydraulic Pump
- F - Manual Bypass (Free-Wheel) Valve
- G - Right Wheel Motor
- H - Cooling Orifice
- I - Charge Relief Valve
- J - Left Wheel Motor
- K - Left Hydraulic Pump
- L - Oil Filter
- M - Hydraulic Reservoir

WIRING DIAGRAM

Model 992609, 610, 611





GREAT DANE

Ariens Company – Auburn Operations
655 West Ryan Street
Brillion, WI 54110-1072
920-756-2141
Fax 920-756-2407
www.ariens.com